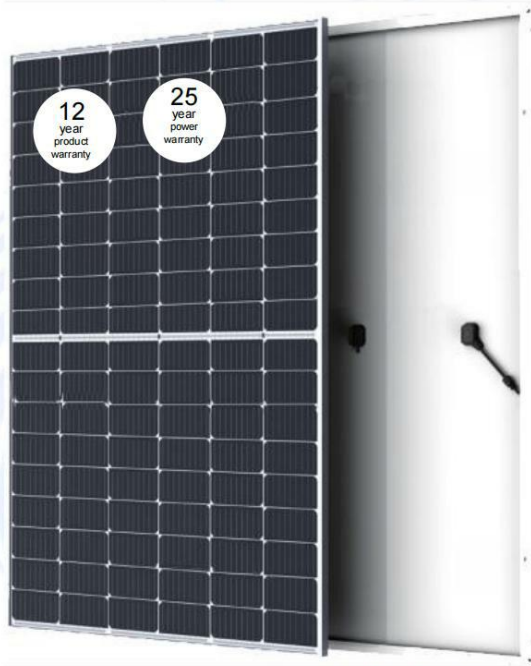




# LINUO SOLAR

# 390-415W

Monocrystalline PV Module  
LSSMH108P Series (182)



MBB & Half Cut cell technology



Guaranteed 0~+5W positive tolerance to ensure power output



Dual stage 100% EL Inspection Warranting Defect-Free Product



Ammonia & salt mist resistant



Excellent mechanical load 2400Pa and snow load 5400Pa resistance



Lower BOS cost and LCOE



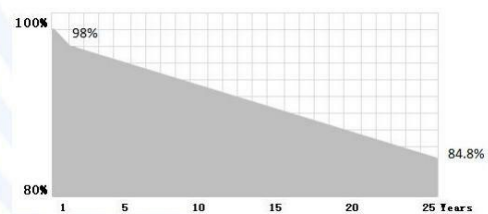
Excellent PID resistance.

## Comprehensive Certificates

- IEC61215, IEC61730
- TUV, CE
- ISO9001: 2015
- ISO14001: 2015
- ISO45001: 2018



## Superior Warranty



Shandong Linuo Solar Power Technology Co.,Ltd  
Add: No.30766 Jingshidong Road, Jinan Zone, CHINA(Shandong) Pilot Free Trade Zone  
Web: <http://en.linuopv.com/>

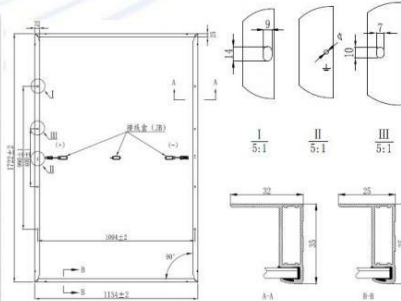


**LINUO SOLAR**

**LSSMH108P-390~415W**

**Mechanical Specifications @STC**

Solar Cells: Mono  
 Number of Cells: 108pcs  
 Module Dimension : 1722×1134×35mm  
 Weight: 22 kg  
 Snow/Wind Load: 5400/2400 Pa  
 Thickness of Glass: 3.2mm  
 Junction Box: IP68, 3 Diodes  
 Connector: HTC-16, IP68  
 Length: (+)290mm /(-)290mm(including connector)



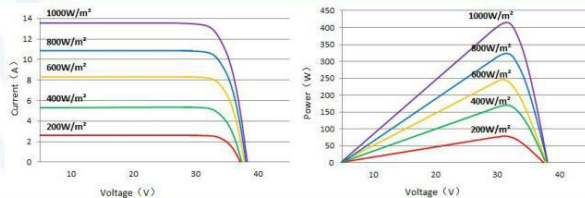
**Electrical Specifications @STC**

Pmax (W) 0~5W	Umpp (V)	Impp(A)	Uoc (V) ±3%	Isc(A) ±3%	Module Efficiency	Max System Voltage	Max Series Fuse
390	30.24	12.91	36.55	13.36	19.97%	1500V	25A
395	30.37	13.01	36.74	13.43	20.23%	1500V	25A
400	30.56	13.10	36.87	13.55	20.48%	1500V	25A
405	30.73	13.19	37.07	13.64	20.74%	1500V	25A
410	30.90	13.27	37.22	13.74	21.00%	1500V	25A
415	31.07	13.36	37.38	13.84	21.25%	1500V	25A

**Temperature Parameter**

Temperature Cycling Range: -40°C ~ +85°C  
 Norminal Module Operating Temperature: 45±2 °C  
 Temperature Coefficient of Isc: 0.048%/°C  
 Temperature Coefficient of Voc : -0.252 %/°C  
 Temperature Coefficient of Pmax : -0.332%/°C

**I-V Curve LSSMH108-410W**



**Packaging Configuration**

Modules Per Pallet: 31pcs  
 Modules Per 40 ' HQ: 806pcs

**Guarantee**

12-year warranty on materials & workmanship  
 25-year linear power output warranty

※ Specifications subject to technical changes and tests, Linuo Power reserves the right of final interpretation.

Shandong Linuo Solar Power Technology Co.,Ltd  
 Add: No.30766 Jingshidong Road, Jinan Zone, CHINA(Shandong) Pilot Free Trade Zone  
 Web: <http://en.linuopv.com/>